

Linear Seating Arrangement for Bank Prelims Exam – Set 1

 guidely

Guidely Prime Bundle PDF Course

Holistic Preparation to Crack Bank Exams

- ✓ Understand the Basic Concepts & Proficiency in all Topics
- ✓ Practice More Questions to Boost your Speed & Accuracy
- ✓ Exactly Based on Real Exam Level & Question Pattern (Pre+Mains)
- ✓ Language: English & Hindi
- ✓ Available in Quiz Format Also
- ✓ Get Detailed Video Solutions

USE
CODE**PRIME**Get Extra
10% Off

Direction (1-5): Study the following information carefully and answer the below questions

Six persons- U, V, W, X, Y, and Z are sitting in the linear row facing the north. They are using different brand pens- Parker, Sheaffer, Hero, Cello, Papercraft, and Hayman but not necessarily in the same order.

The one who uses Cello sits third to the left of the one who sits second to the right of U. Only two persons are sitting between U and W. The number of persons sitting to the left of W is the same as to the right of the one who uses Parker. Only two persons sit between the one who uses Parker and X. Y sits third to the left of the one

who uses Hero. Neither X nor V uses Hero. The one who uses Paperkraft sits immediate left of the one who uses Hayman. U does not use Sheaffer.

1) Who among the following sits second to the left of W?

- A. The one who uses Hayman
- B. The one who uses Hero
- C. The one who uses Cello
- D. V
- E. U

2) Four of the five among the following are similar in such a way to forms a group, who among the following doesn't belong to that group?

[Click Here For Bundle PDF Course](#)

[Click Here to Subscribe Our Yearly Mock Test Package](#)

Linear Seating Arrangement for Bank Prelims Exam – Set 1

- A.VU
- B.XW
- C.YX
- D.UZ
- E.VW

3) What is the position of the one who uses Cello with respect to X?

- A.Second to the right
- B.Second to the left
- C.Third to the left
- D.Fourth to the left
- E.None of the above

4) Who among the following person sits to the immediate left of the one who uses the Hero pen?

- A.The one who sits immediate right of U
- B.The one who sits third to the right of Y
- C.Z
- D.T
- E.V

5) If V is related to Papercraft and X is related to Sheaffer in a certain way. Then, who among the following is related to Hayman?

- A.Y
- B.The one who sits immediate right of Z
- C.V
- D.The one who sits immediate left of V.
- E.None of the above

Direction (6-10): Study the following information carefully and answer the below questions

Six persons- U, V, W, X, Y, and Z are sitting in the linear row facing the north. They like different sweets- Jamun, KajuKatli, Mysore Pak, Halwa, Ladoo, and Jalebi but not necessarily in the same order.

The one who likes Jalebi sits third to the left of W, neither of them sits at end of the row. Z sits immediate left of W. Only one person sits between Z and X. The number of persons sits to the left of X is the same as the number of persons sits to the right of the one who likes Mysore Pak. V sits second to the left of the one who likes Ladoo. V neither likes Jalebi nor Halwa. Y neither likes Jalebi nor Ladoo. Neither Y nor X likes Halwa. The one who likes KajuKatli sits second to the right of the one who likes Halwa. X does not like Kajukatli.

6) Which of the following combination is true?

- I. V- Jamun
 - II. Z- Halwa
 - III. Y- Ladoo
 - IV. X- KajuKatli
- A.Only I and II
 - B.Only III and IV
 - C.Only I and III
 - D.Only II and IV
 - E.Only II and III

7) Which of the following sweets does X like?

- A.Jamun

Linear Seating Arrangement for Bank Prelims Exam – Set 1

- B. Jalebi
- C. Halwa
- D. Kajukatli
- E. Ladoo

8) What is the position of V with respect to the one who likes Jalebi?

- A. Third to the right
- B. Immediate left
- C. Immediate right
- D. Second to the left
- E. Second to the right

9) Who among the following person likes Halwa?

- A. The one who sits third to the right of U
- B. W

C. U

D. The one who sits second to the right of V

E. The one who sits immediate left of W

10) How many persons are sitting to the left of the one who likes Mysore Pak?

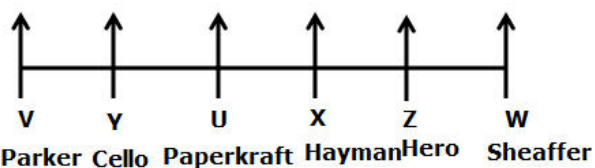
- A. As many persons are sitting to the right of Z
- B. Three
- C. Four
- D. Five
- E. As many persons are sitting between X and Z

ANSWER WITH EXPLANATION

Direction (1-5):

1. Answer: A
2. Answer: E
3. Answer: B
4. Answer: A
5. Answer: A

Final Arrangement

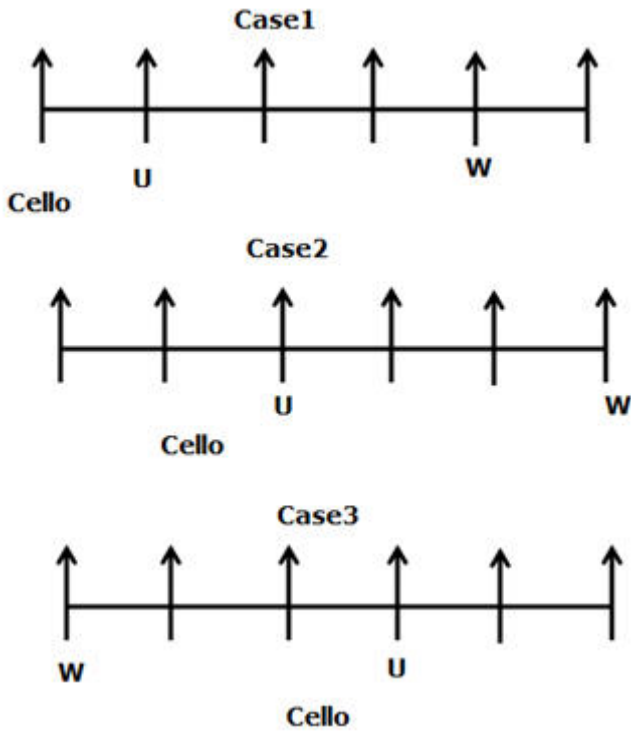


We have,

- The one who uses Cello sits third to the left of the one who sits second to the right of U.
- Only two persons are sitting between U and W.

From the above condition, there are three possibilities.

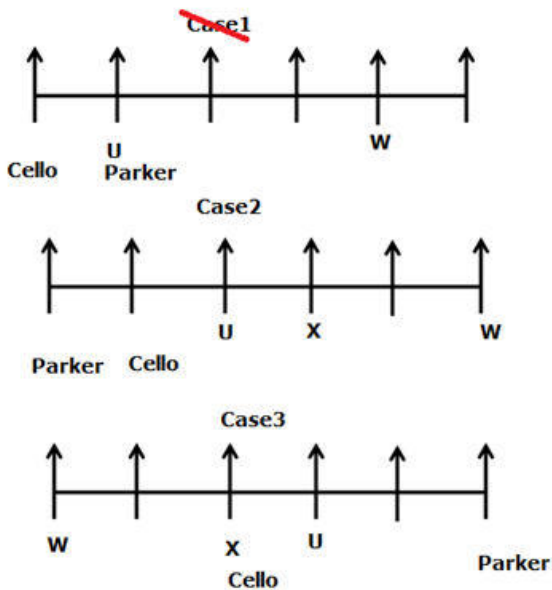
Linear Seating Arrangement for Bank Prelims Exam – Set 1



Again we have,

- The number of persons sitting to the left of W is the same as the right of the one who uses Parker.
- Only two persons sit between the one who uses Parker and X.

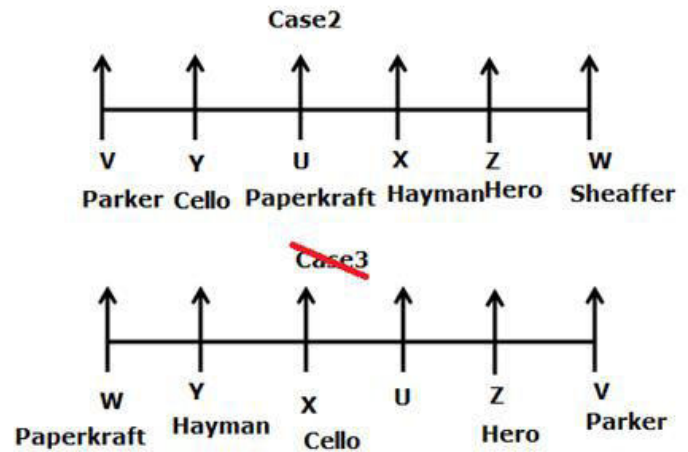
From the above condition, case1 gets eliminated.



Again we have,

- Y sits third to the left of the one who uses Hero.
- Neither X nor V uses Hero.
- The one who uses Paperkraft sits immediate left of the one who uses Hayman.
- U does not use Sheaffer.

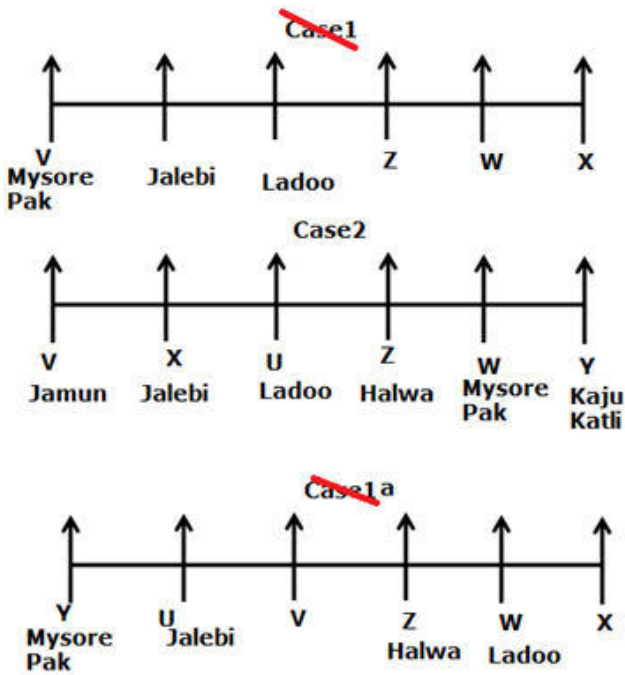
From the above condition, case3 gets eliminated. case2 shows the final arrangement.



Direction (6-10):

6. Answer: A
7. Answer: B
8. Answer: B
9. Answer: E
10. Answer: C

Linear Seating Arrangement for Bank Prelims Exam – Set 1



[Click Here For Bank Exam Free PDF](#)

[Click Here For Reasoning Free PDF](#)

[Click Here For Quantitative Aptitude Free PDF](#)

[Click Here For English Free PDF](#)